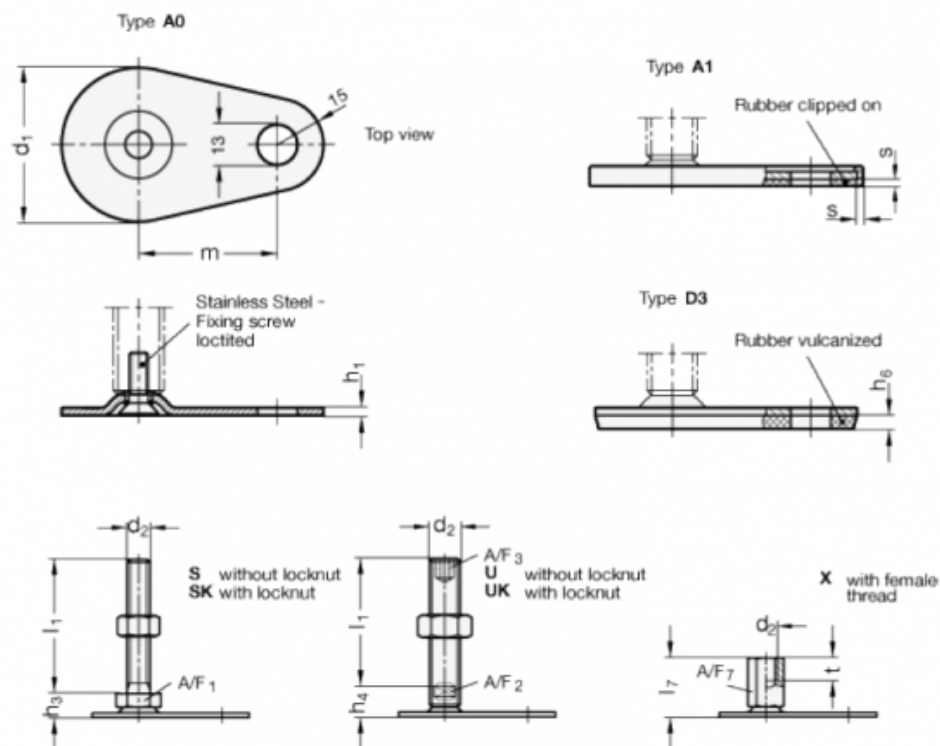


Article number: 204280M2045D3X  
 Description: E+G levelling foot  
 GN 42-80-M20-45-D3-X  
 Note: X With female thread, External hexagon

## Measures



A/F7 = 27  
 $d_1$  = 80  
 $d_2$  = M20  
 $h_1$  = 3  
 $h_6$  = 5  
 $h_7$  = 45  
 $m$  = 70  
 $s$  =

$t$  = 20